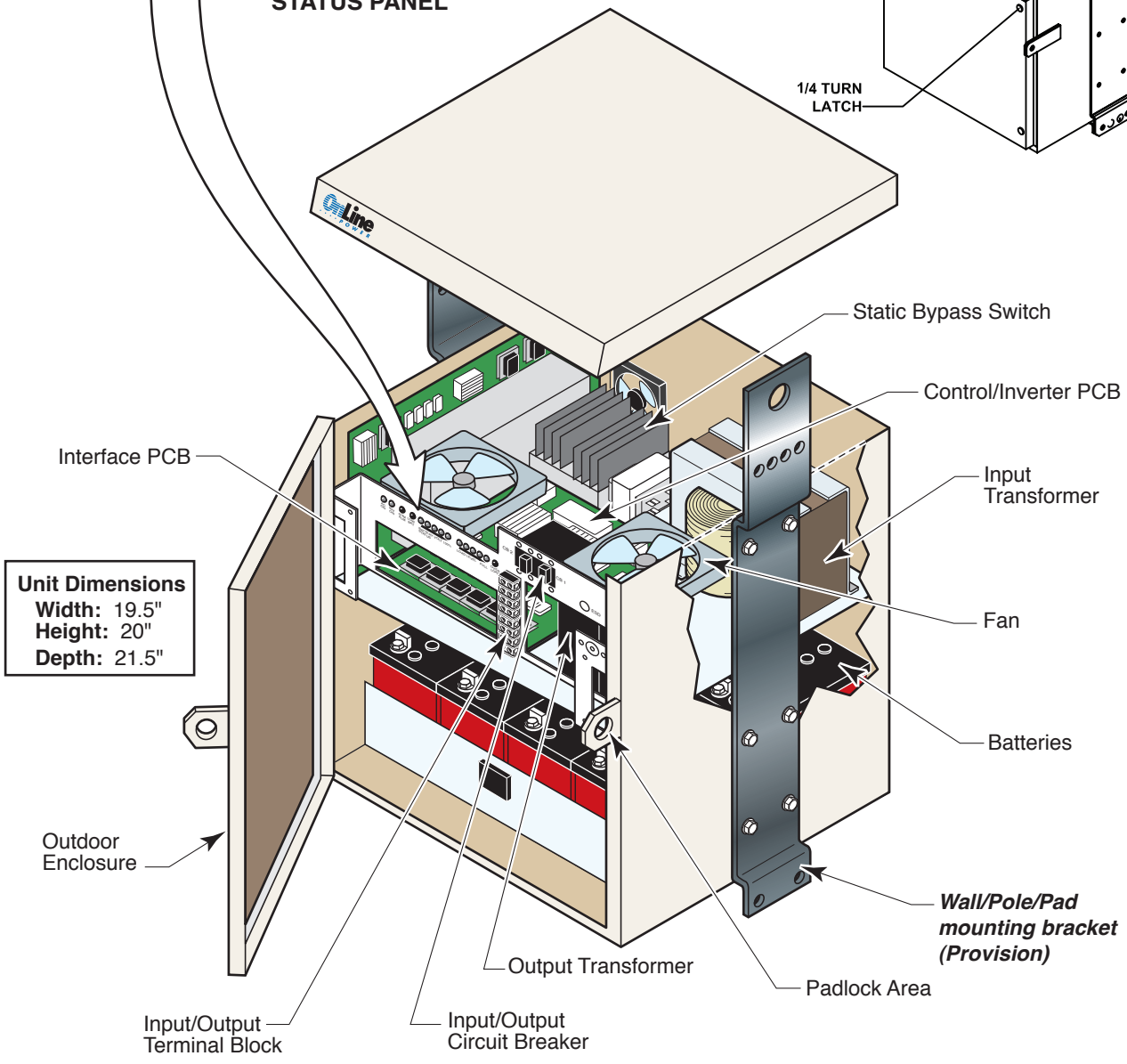
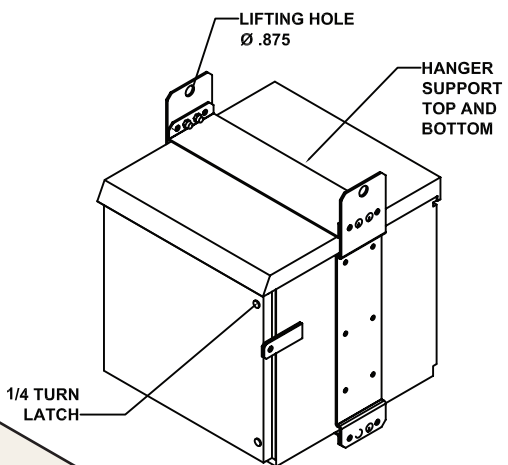
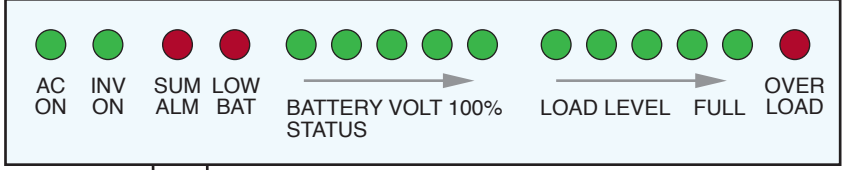


REV	ECO	DESCRIPTION	DATE	APPROVED



Unit Dimensions
Width: 19.5"
Height: 20"
Depth: 21.5"

<input type="checkbox"/> APPROVED <input type="checkbox"/> DISAPPROVED <input type="checkbox"/> APPROVED WITH COMMENTS		DATE:	UNLESS OTHERWISE SPECIFIED, DIMENSIONS ARE IN INCHES.		
COMMENTS:		ILLUSTD: CHUN		7/01/05	TITLE: Harsh Environment PBC-I
NAME:		SIGNATURE:	APPVD:	DWG #:	REV:
			APPVD:	HEP4135A-309	
SPECIFICATIONS SUBJECT TO CHANGE WITHOUT NOTICE					