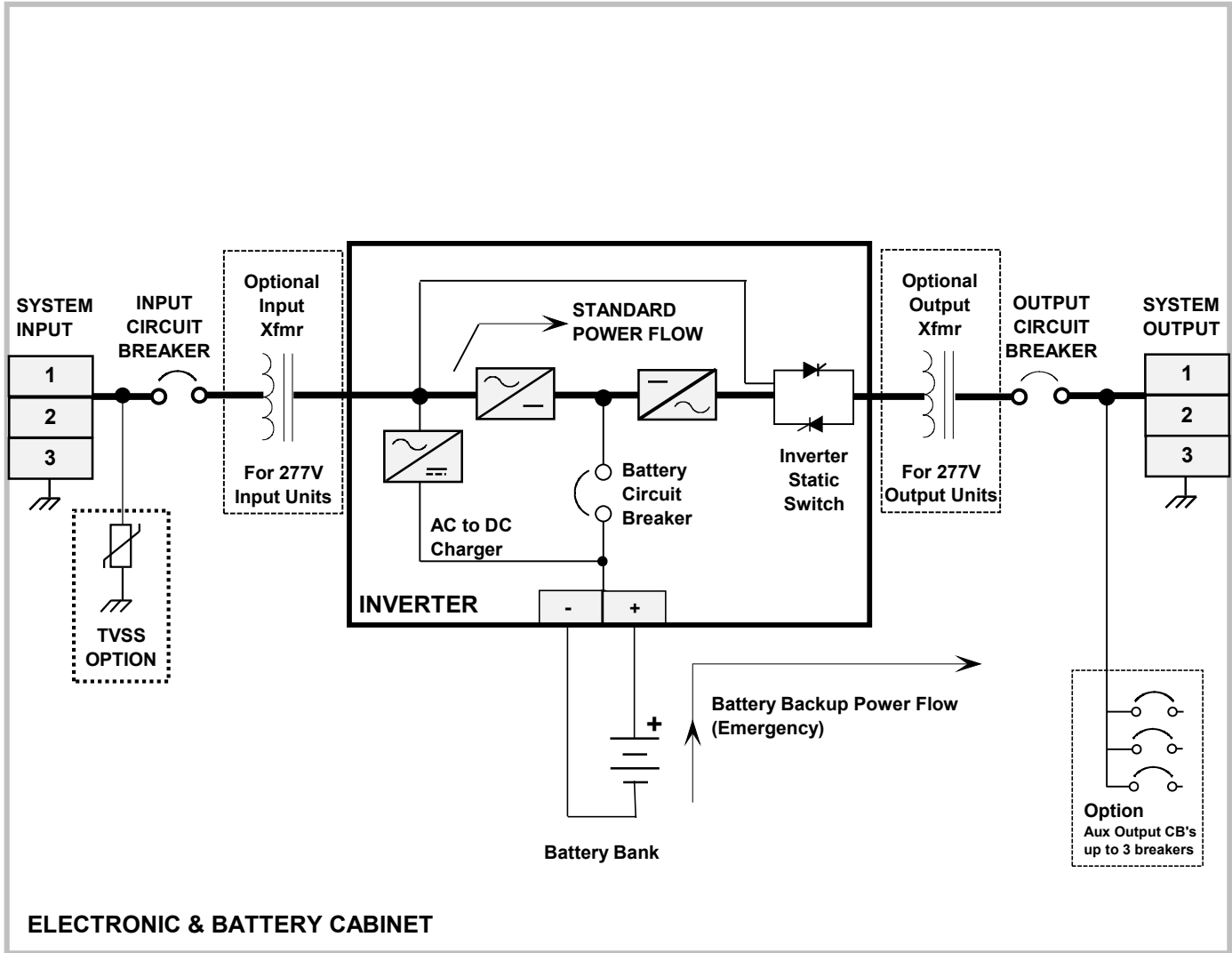



MICRO POWER LIGHTING INVERTER SINGLE LINE DIAGRAM

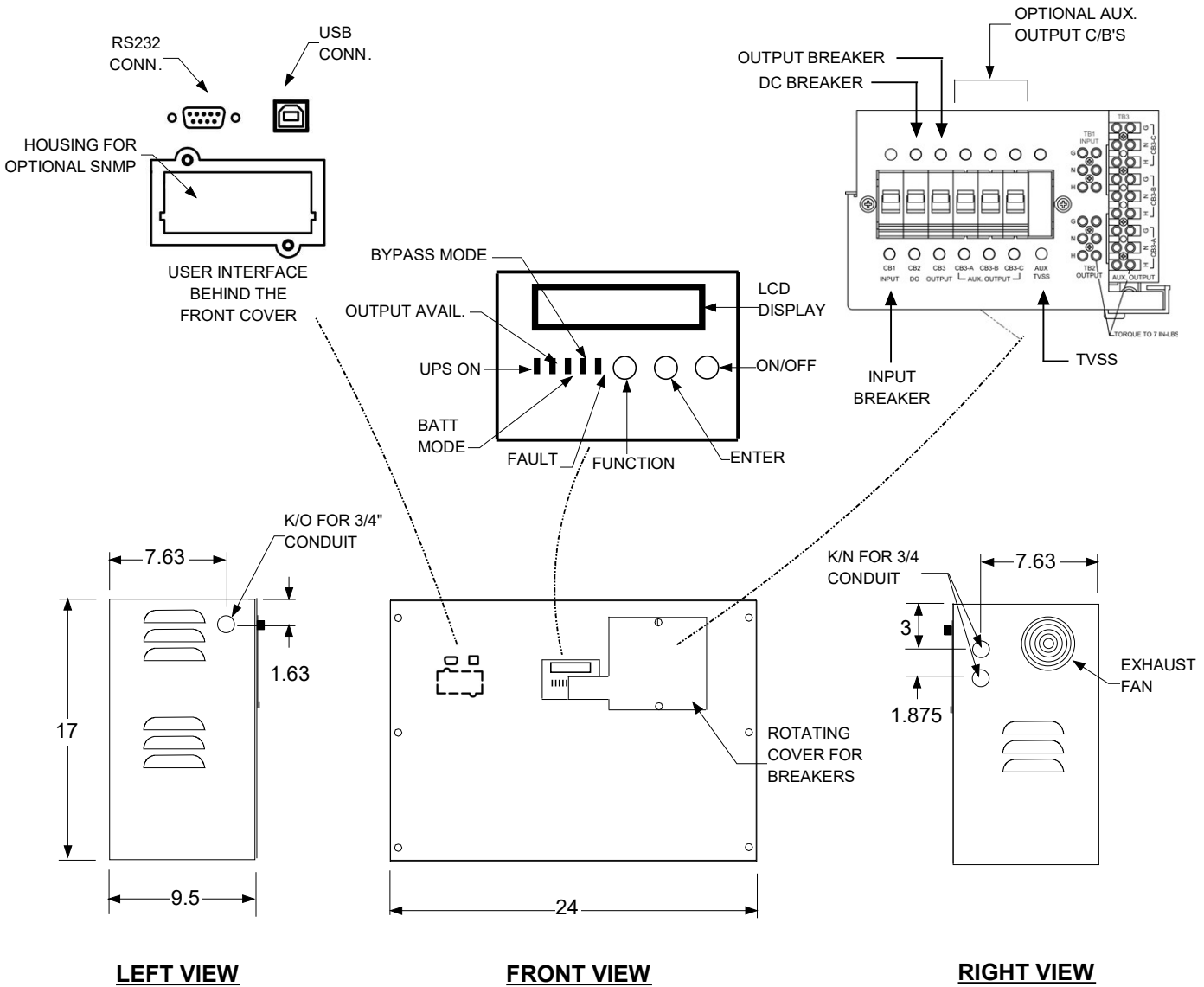


NOTES:

1. Dotted blocks are optional features.

		MINI POWER WAVE SINGLE LINE DIAGRAM	
SDR : SHERRIS	01/25/23	DWG NO.: 100-TD-010	REV.: A
CHKD : M.T.	01/25/23		SHT 1 OF 1
APPVD : HN	01/25/23	SUBJECT TO CHANGE WITHOUT NOTICE	

MICRO POWER WAVE (200, 300, & 490 WATTS)

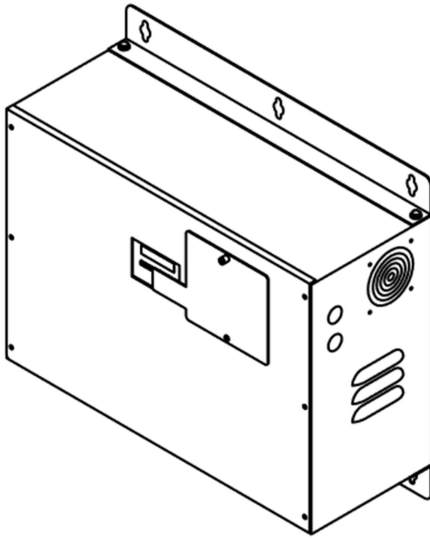


NOTES:

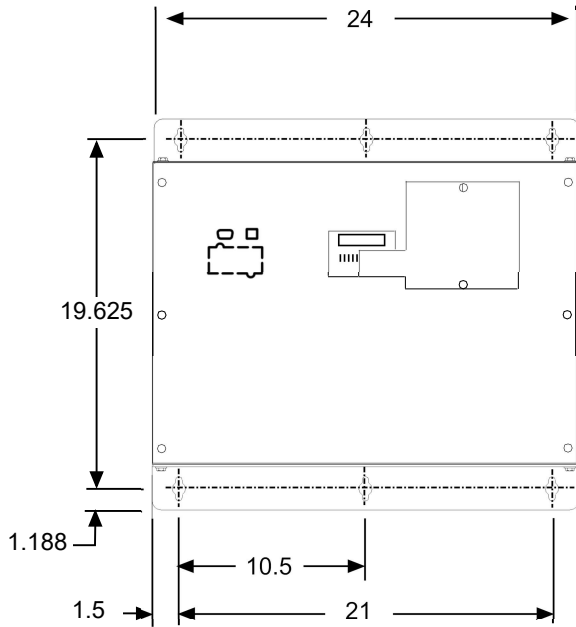
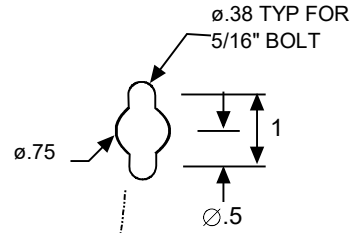
- 1) ENCLOSURE: INDOOR NEMA TYPE 1, COLOR WHITE.
- 2) RATING: FROM 200W TO 490W.
- 3) ALL DIMENSIONS ARE IN INCHES.

		MICRO POWER WAVE LIGHTING INVERTER	
CHKD : M.T. 02/01/23	APPVD : HN 02/01/23	DWG NO.: 100-TD-011	SHT 1 OF 1
		SUBJECT TO CHANGE WITHOUT NOTICE	

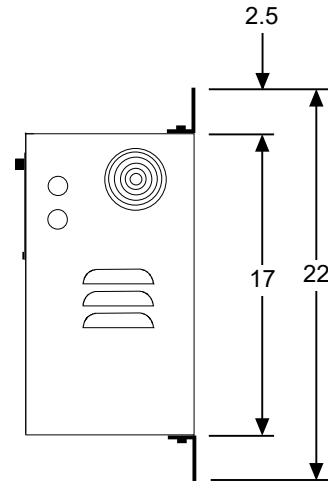
MICRO POWER WAVE STANDARD MOUNTING



ISOMETRIC VIEW WITH STANDARD MOUNTING




FRONT VIEW



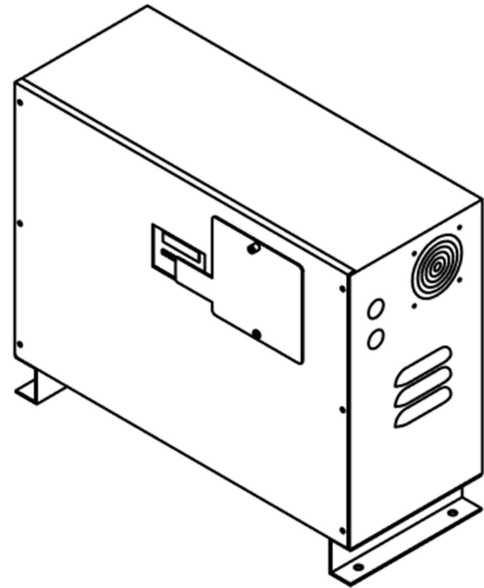
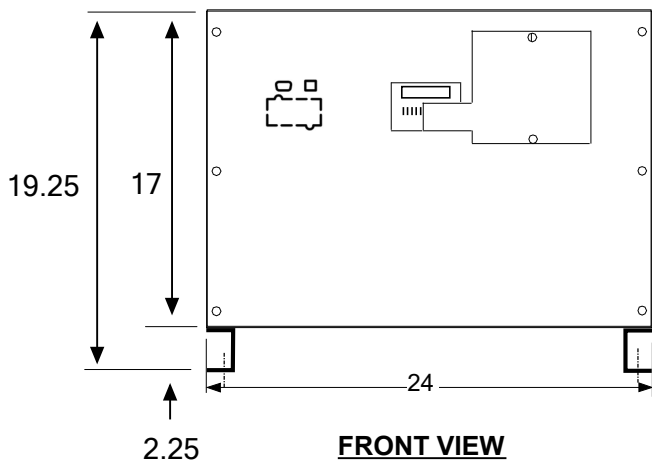
RIGHT VIEW

NOTES:

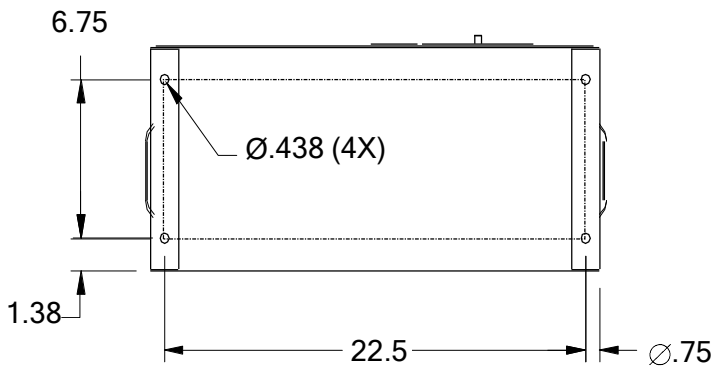
- 1) ENCLOSURE: INDOOR NEMA TYPE 1, COLOR WHITE.
- 2) RATING: FROM 200W TO 490W.
- 3) ALL DIMENSIONS ARE IN INCHES.

		MICRO POWER WAVE LIGHTING INVERTER	
APPVD : HN 02/01/23		DWG NO.: 100-TD-012	REV.: A SHT 1 OF 1
SUBJECT TO CHANGE WITHOUT NOTICE			

MICRO POWER WAVE OPTIONAL FLOOR MOUNT




ISOMETRIC VIEW WITH OPTIONAL MOUNTING



NOTES:

- 1) ENCLOSURE: INDOOR NEMA TYPE 1, COLOR WHITE.
- 2) RATING: FROM 200W TO 490W.
- 3) ALL DIMENSIONS ARE IN INCHES.

		MICRO POWER WAVE TECHNICAL DRAWINGS	
SDR : SHERRIS	02/01/23	DWG NO.: 100-TD-013	REV.: A
CHKD : M.T.	02/01/23		SHT 1 OF 1
APPVD : HN	02/01/23	SUBJECT TO CHANGE WITHOUT NOTICE	