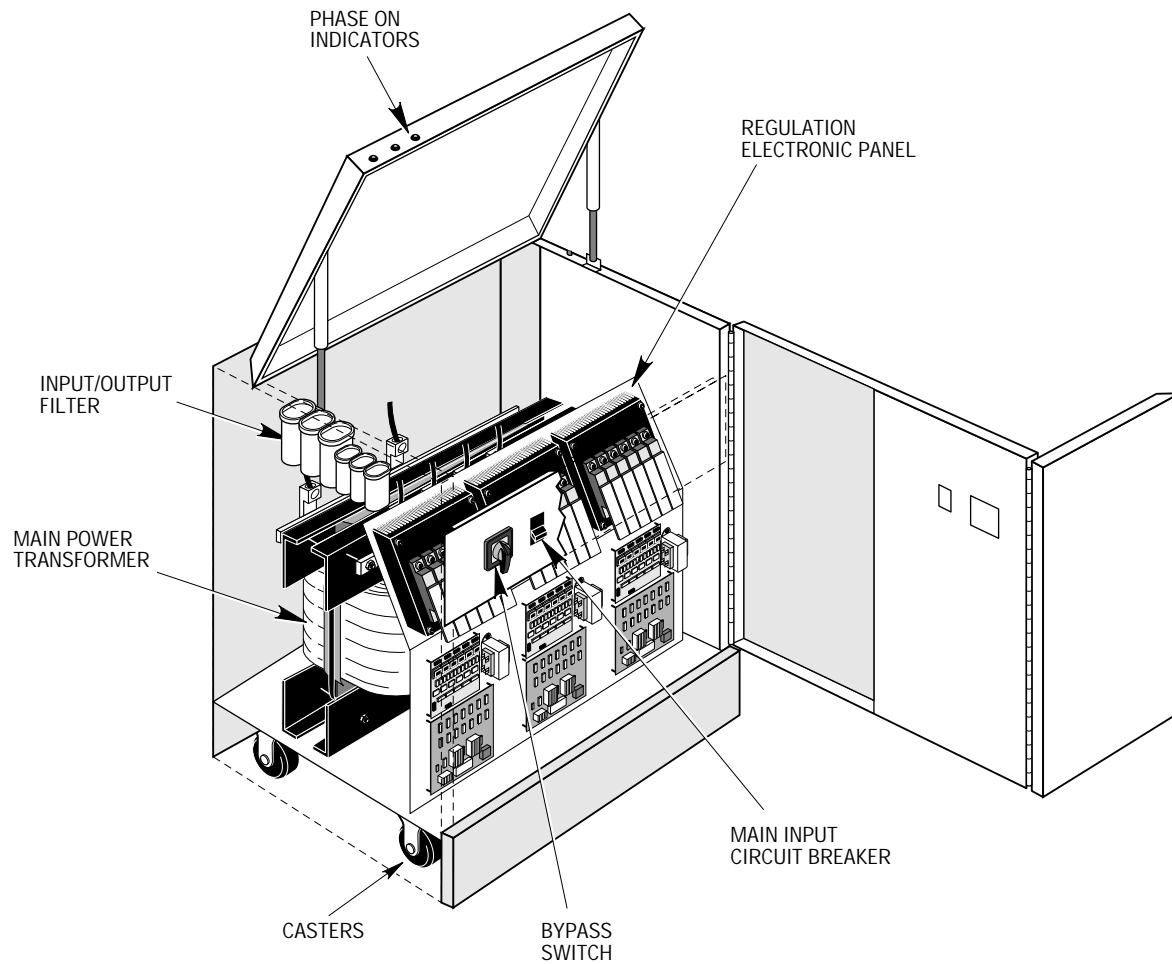


INPUT/OUTPUT
CONDUIT ENTRY
(BOTH SIDES)

Units	A	B	C	D
15-50 kVA	42"	32"	22"	9"
75-100 kVA	42"	32"	27"	14"



Constant Power 18

Three Phase
15 - 100 kVA



EXP4027A-1097